

Aquascape[®]

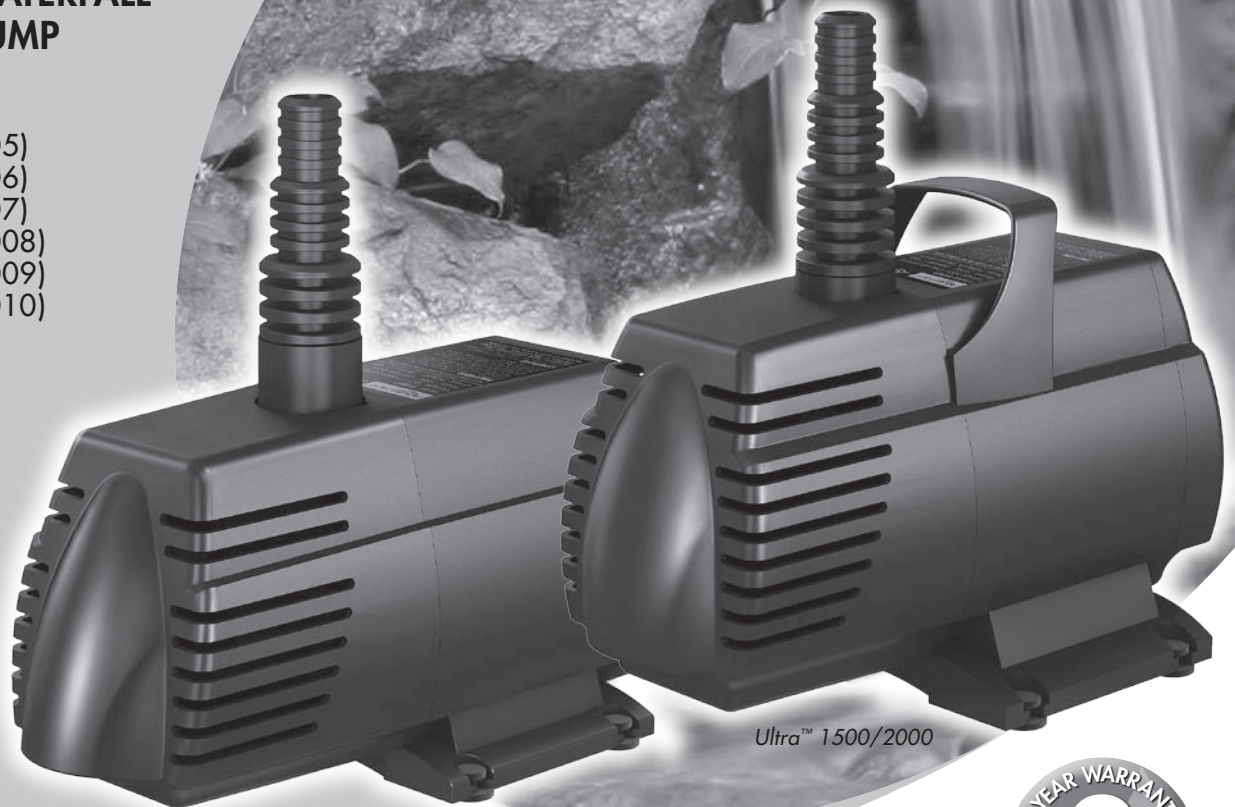
ULTRA[™] WATER PUMP

**SUBMERSIBLE
FOUNTAIN, WATERFALL
AND FILTER PUMP**

For Models:

- 400 (Item #91005)
- 550 (Item #91006)
- 800 (Item #91007)
- 1100 (Item #91008)
- 1500 (Item #91009)
- 2000 (Item #91010)

*Available in flow rates
from 400 to 2000 GPH.*



Ultra[™] 400/550/800/1100

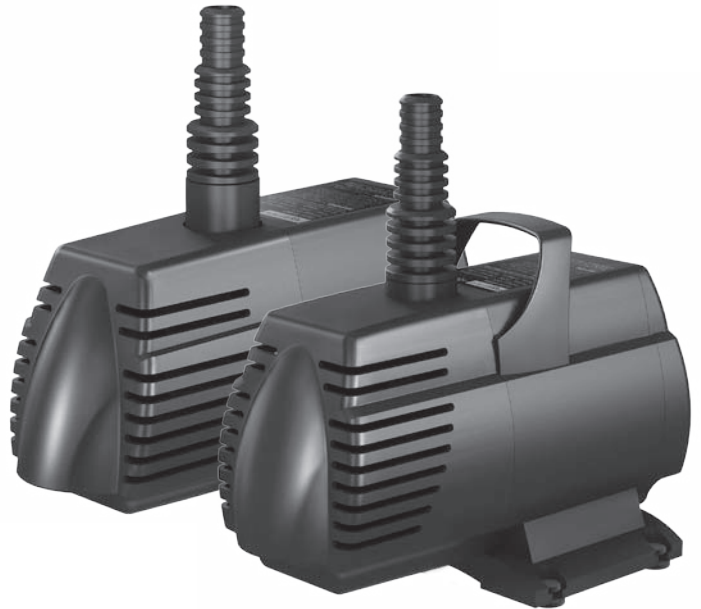
Ultra[™] 1500/2000





ULTRA™ WATER PUMP

Thank you for choosing the Aquascape Ultra™ pump. At Aquascape, our goal is to supply our customers with the best valued products in water gardening. We hope you enjoy your purchase and thank you for choosing Aquascape. *Your Paradise. Our Passion.®*



3 YEAR WARRANTY

The Aquascape Ultra™ Pump is guaranteed for three years from date of purchase. Proof of purchase required. Warranty does not cover damage resulting from negligent handling, misuse or lack of reasonable maintenance for care. Warranty is valid against defects due to material and the company's workmanship only. The sole obligation shall be to replace the defective unit with a suitable replacement unit. Units should be checked for proper operation prior to returning as defective. No liability for loss or damage of any nature or kind, whether arising out of or from the use of the product, whether defective or not defective, is assumed by Aquascape, Inc. or its affiliates.

CONTACT US

For more information about our company or products please visit our website at www.aquascapeinc.com or call (US) 1-866-877-6637 (CAN) 1-866-766-3426.

TABLE OF CONTENTS

Introduction	3
Contents/Spare Parts.....	3
Safety Information	4
Installation	4
Operation and Maintenance	6
Troubleshooting	8



VISIT OUR WEBSITE



DOWNLOAD A FREE COPY OF OUR CATALOG

INTRODUCTION

Aquascape Ultra™ Pumps are the complete solution for small ponds, fountains and water features. This all-in-one kit includes a three-way diverter valve and multi-size connection, making it adaptable to almost any hose or tubing size. Ultra pumps are ideal for supplying water to run fountains,

water features, external filters and spitting ornaments. This combination of energy-efficient mag-drive performance, flow, and ease of maintenance make this pump the ideal choice for discriminating pond owners.

CONTENTS:

(1) Ultra™ Pump

#91055 Ultra™ Pump Replacement Discharge Fittings Kit

For Models 400/550/800:

- (1) 3/4" X 1/2" barb valve
- (1) 3/4" Multi Hose Adapter X 3/4", 1", 1.25"
- (1) 3/4" 3-way valve X 3/4" Barbed Discharge

#91056 Ultra™ Pump Replacement Discharge Fittings Kit

For Model 1100:

- (1) 7/8" Multi Hose Adapter X 3/4", 1", 1.25"
- (1) 7/8" 3-way valve X 3/4" Barbed Discharge

#91057 Ultra™ Pump Replacement Discharge Fittings Kit

For Models 1500/2000:

- (1) 1" Multi Hose Adapter X 3/4", 1", 1.25"
- (1) 1" 3-way valve X 3/4" Barbed Discharge



3-way Valve Barbed Discharge

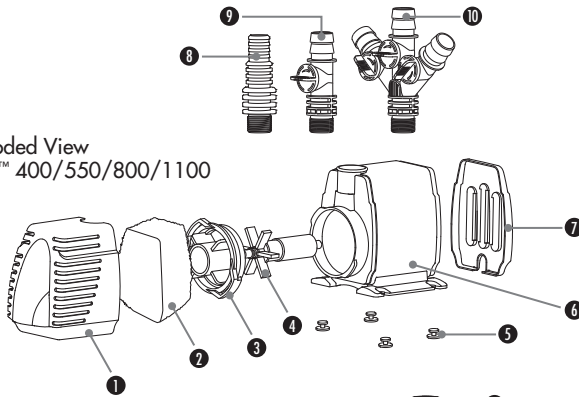


Barb Valve

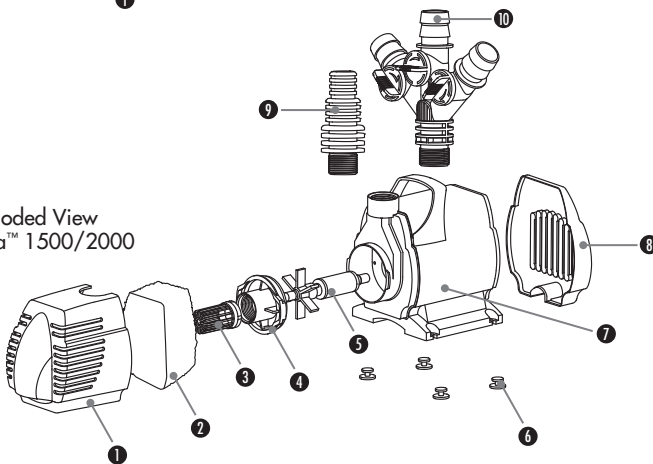


Multi Hose Adapter

Exploded View Ultra™ 400/550/800/1100



Exploded View Ultra™ 1500/2000



PARTS LIST For Models 400/550/800/1100 only:

- 1 Front Cover
- 2 Filter Sponge
- 3 Water Chamber Assembly
- 4 Impeller Assembly
- 5 Rubber Feet
- 6 Main Housing
- 7 Back Cover
- 8 3/4", 1", 1 1/2" Multi-Hose Adapter
- 9 1/2" Barb Valve
- 10 3/4" 3-way valve

PARTS LIST For Models 1500/2000 only:

- 1 Front Cover
- 2 Filter Sponge
- 3 Inner Screen
- 4 Water Chamber Assembly
- 5 Impeller Assembly
- 6 Rubber Feet
- 7 Main Housing
- 8 Back Cover
- 9 3/4" X 3/4", 1", 1.25" Multi-Hose Adapter
- 10 3/4" 3-way Valve

SPARE PARTS:

Contact your local dealer for replacement parts required due to damage or wear.

Pump Model	Front Cover Kit	Filter Sponge	Impeller Kit	Discharge Fittings Kit
400	91050	91033 (4/pkg)	91039	91055
550	91051	91034 (4/pkg)	91040	91055
800	91051	91035 (4/pkg)	91041	91055
1100	91052	91036 (2/pkg)	91042	91056
1500	91053	91037 (2/pkg)	91043	91057
2000	91053	91038 (2/pkg)	91044	91057

OPTIONAL ACCESSORIES:

Ultra Pump™ Fountain Head Kits

If you currently own an Ultra Pump™ and want to add a new dimension to your pond with the addition of a fountain, Aquascape makes it simple with the addition of the new Ultra Pump™ Fountain Head Kit. Kit comes complete with three fountain heads: Water Bell, Foaming Jet, and Daisy Fountain along with an integrated diverter valve to adjust the fountain head height, as well as allows for the diversion of water to an external filter or waterfall.



Waterbell



Foaming Jet



Daisy



Fountain Head Kit

ULTRA™ PUMP FOUNTAIN HEAD KIT SPECS

Model #	Kit Item #	Waterbell Fountain Spray Diameter	Foaming Jet Spray Height	Daisy Fountain Spray Height
Ultra™ 400	91045	up to 12"	up to 12"	up to 40"
Ultra™ 550	91045	up to 15"	up to 16"	up to 47"
Ultra™ 800	91045	up to 21"	up to 18"	up to 52"
Ultra™ 1100	91046	up to 31"	up to 20"	up to 76"
Ultra™ 1500	91046	up to 34"	up to 22"	up to 86"
Ultra™ 2000	91046	up to 36"	up to 24"	up to 96"

SAFETY INFORMATION



WARNING: Risk of electric shock – This pump has not been approved for use in swimming pool or marine areas.



WARNING: To provide continued protection against risk of electric shock, connect to properly grounded, ground fault circuit interrupter (GFCI) outlets only, using the following guidelines:

- (A) Have a qualified electrician install a properly grounded receptacle outlet, acceptable for outdoor use and protected from snow and rain.
- (B) Inspect cord before using.
- (C) Do not use extension cords.

- (D) Any wiring of pumps should be performed by a qualified electrician to ensure code compliance and user safety.
- (E) Unplug pump at receptacle outlet when not in use or before removal from pond.
- (F) To reduce risk of electrical shock, all wiring and junction connections should be made per local codes. Requirements may vary depending on usage and location.
- (G) The power cable should be protected at all times to avoid punctures, cuts, bruises and abrasions.
- (H) Never handle power cords with wet hands.
- (I) Do not remove cord and strain relief. Do not connect conduit to pump.
- (J) Do not use power cable to lift pump.

INSTALLATION

- Always operate the pump fully submerged. Failure to do so will overheat the pump and cause it to fail, thus voiding the warranty. **DO NOT OPERATE DRY!**
- Use only in fully assembled state, paying particular attention to be sure that both the filter screen and sponge are attached to the pump. Failure to operate the pumps without these filter screens will allow large debris to enter the pump causing the pump to fail, voiding the warranty.
- Do not wear loose clothing that may become entangled in the impeller or other moving parts.
- Keep clear of suction and discharge openings. **DO NOT** insert fingers in pump with power connected.
- Do not pump hazardous materials or liquids other than water, such as oil, or organic solvents.
- Do not block or restrict discharge.
- Products returned must be cleaned, sanitized, or decontaminated, as necessary, prior to shipment to ensure

that employees will not be exposed to health hazards in handling said material. All applicable laws and regulations shall apply.



IMPORTANT: Aquascape, Inc. is not responsible for losses, injury, or death resulting from a failure to observe these safety precautions, misuse or abuse of pumps or equipment.

ULTRA™ PUMP SPECIFICATIONS

- Input Voltage: 120V AC
- Input Frequency: 60 Hz
- Submersible pump
- For outdoor or indoor use
- Thermally protected
- This pump has been evaluated for use with water only
- Input Amps & Wattage: *See chart on next page*



POND SQUAD
INSTALLATION
INSTRUCTIONS

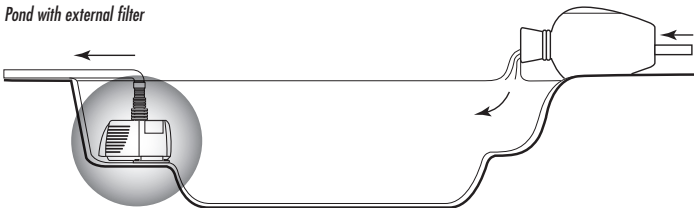
ULTRA™ PUMP SPECS

Model Number	400	550	800	1100	1500	2000
Item Number	#91005	#91006	#91007	#91008	#91009	#91010
Maximum Flow Rate	370 GPH	528 GPH	793 GPH	1110 GPH	1480 GPH	1982 GPH
Maximum Head Height	7.55 ft	7.87 ft	9.19 ft	12.14 ft	16.4 ft	20.01 ft
Motor Type	Mag-Drive	Mag-Drive	Mag-Drive	Mag-Drive	Mag-Drive	Mag-Drive
Wattage	24	33	58	92	153	250
Amperage	.40	.55	.80	.85	1.46	2.60
Power Cord Length	12 ft	12 ft	25 ft	25 ft	25 ft	25 ft
Discharge Hose Diameter	1/2", 3/4", 1", 1.25"	1/2", 3/4", 1", 1.25"	1/2", 3/4", 1", 1.25"	3/4", 1", 1.25"	3/4", 1", 1.25"	3/4", 1", 1.25"
Warranty	3 Year Limited	3 Year Limited	3 Year Limited	3 Year Limited	3 Year Limited	3 Year Limited

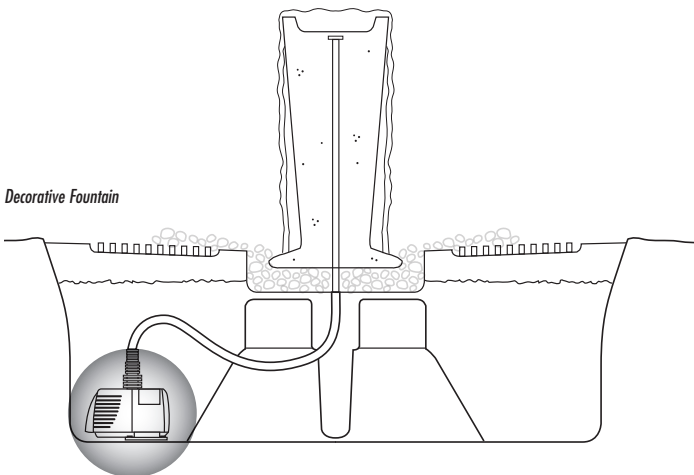
TYPICAL INSTALLATION IN A POND OR DECORATIVE FOUNTAIN

- The Ultra™ Pump is designed to be submerged directly into the pond or decorative fountain container. To maximize pond circulation, locate the pump as far away as possible from the location of the water entering back into the water feature.

Pond with external filter

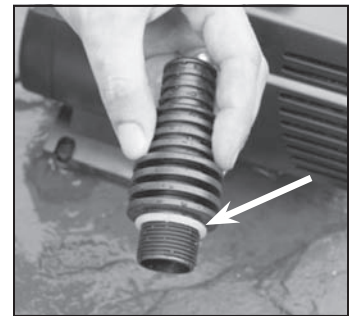


Decorative Fountain



- The Ultra™ Pump is designed with a base that orientates the discharge vertically. If space is limited or plumbing set-up requires the discharge to be positioned horizontally, the pump can be positioned on its side.
- It is recommended that the pump **NOT** be positioned in the deepest area of the pond. This will protect the fish by preventing the pond from completely draining in the case of leak in the plumbing or filter. Bricks or stones can be used, if needed, to raise the pump up off the bottom of the pond.

- The Ultra™ Pump includes an assortment of fittings to choose from. Select the appropriate fitting(s) needed for your application. Slip the O-ring seal over the threaded portion of the fitting.



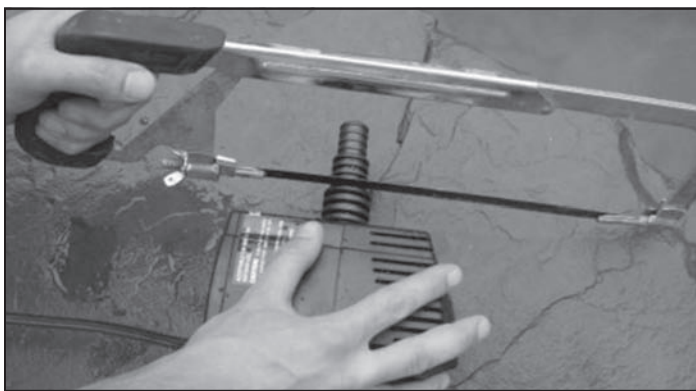
- The Multi Hose Adapter will accommodate 3/4", 1" or 1.25" tubing.



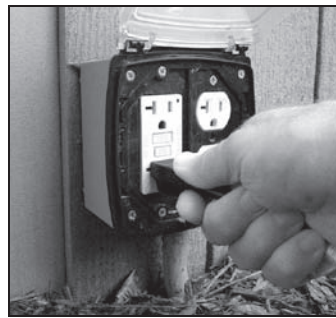
- The convenient 3-Way Diverter Fitting provides you with the ability to connect and adjust the flow rates to as many as three different pumping locations. Simply adjust the valve on the 3-Way Diverter Fitting to dial in the desired water flow. If you are not using all three valves, close off the unused valve to maximize the amount of water flow to the remaining valves.



- If using a diameter pipe larger than the smallest section of the Multi Hose Adapter, trim off the smaller sections to avoid any flow restriction.



- Attach tubing to the fitting. If tubing is loose on fitting use a hose clamp (not included) to secure tubing onto the fitting.
- Connect the other end of the pump tubing to the pond filter, such as a biological filter, waterfall spillway or pressurized filter or to a decorative fountain or spitter.



- Connect the pump to an outlet that is protected by a ground fault interrupter. Once the pump is running and water is circulating through the filter(s) or waterfalls, check for any fitting or waterfall leaks where the external connections are made.

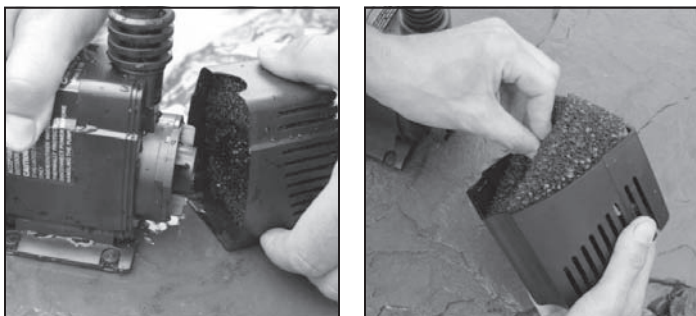
OPERATION AND MAINTENANCE

- **Filter Screens** – Do not remove the pump cover-inlet screen or filter sponge while operating the pump. Operating the pump without the front cover or filter sponge can allow large debris to enter the pump causing the pump to fail, thus voiding the warranty.



- **Filter Screen Cleaning** – We recommend inspecting your pump on a regular basis to make sure it is functioning properly. Always disconnect the power before performing maintenance on the pump. If you notice the water flow rate is diminished, it may be due to the pump's filter screen or sponge becoming clogged with debris. In many cases the clogged screen can be cleaned by reaching in to the pump and removing, by hand, any debris from the filter screen. If there is a lot of debris and/or the debris is difficult to clean, you may need to remove the pump from the pond or basin for a more thorough cleaning. A garden hose can be used to spray off any debris stuck on the filter screen or sponge. Be sure to replace both the screen and sponge and make sure they are firmly attached to the pump body, before lowering the pump back into the water.

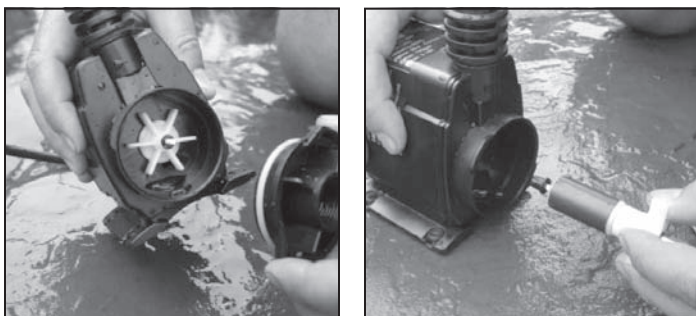
- The outer screen is designed to pop off when it is gently pulled from either side.



- The pre-filter sponge is designed to protect the pump from fine particles, such as sand or other pond debris, that could clog or damage the interior of the pump. Clean the filter sponge using a bucket of pond water or rinse off with a garden hose.



- **Internal Pump Cleaning** – If you have thoroughly cleaned the filter screen and sponge on the pump and still have diminished flow rates, you will need to remove the water cover chamber by rotating it about ¼ turn counter clockwise past the tabs and pulling it off. This will expose the impeller assembly to allow for closer inspection. Carefully remove the impeller from the pump, being careful not to lose the two plastic bearing washers on either end of the impeller or the centering bushings that center the ceramic impeller shaft on both ends.



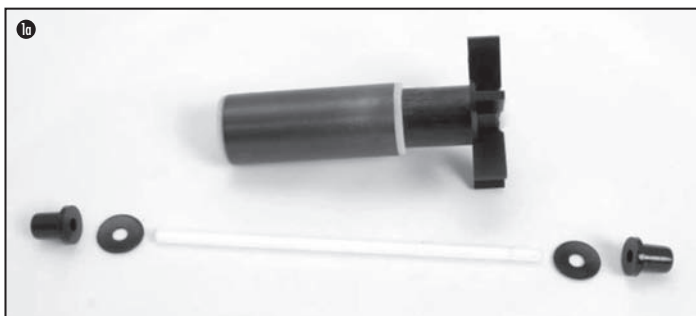
- If your rotor assembly impeller and internal pump body have excessive scale build-up, clean with a mild acid, such as white vinegar or non-abrasive calcium, lime and rust remover product using a sponge or soft-bristled brush that won't scratch. Removing scale build-up will allow your pump to run like new again.



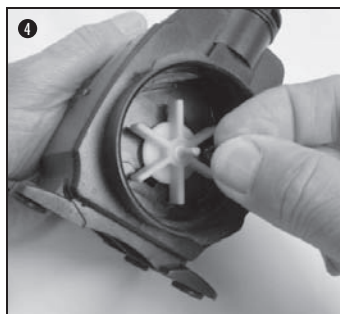
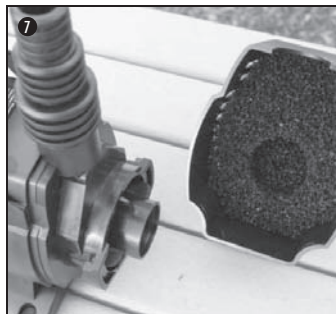
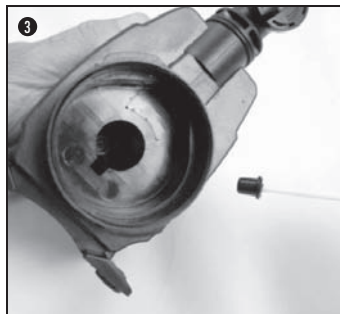
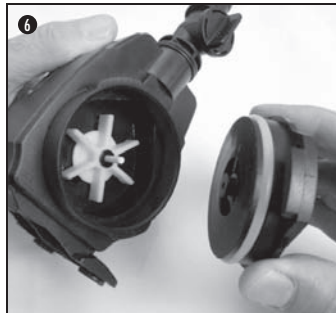
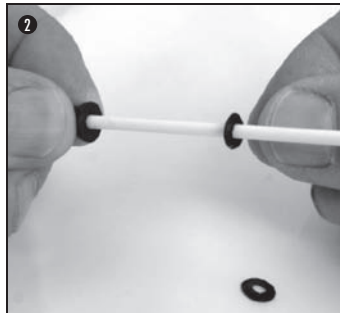
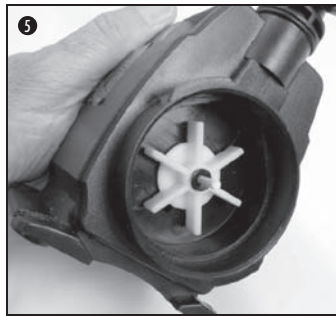
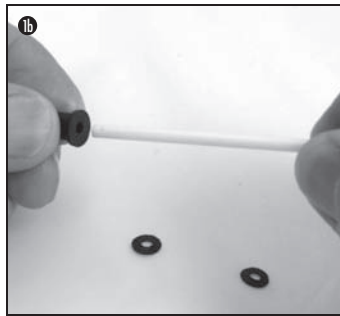
REPLACING THE IMPELLER

- The impeller assembly is the only moving part on the Ultra™ Pump and will experience wear and tear. If you've cleaned the pump, as described above, and still experience poor pump performance, it is most likely time to replace the impeller. Replacing the impeller is extremely easy. Replacement Impeller Kits are available through your local Aquascape® dealer.

- 1a. Note the orientation of parts in the photo below. The replacement impeller kits include all parts shown. Make sure to remove all of the original parts from the inside of the pump before installing the replacement impeller kit.



- 1b. A centering bushing is required on both ends of the impeller shaft; one bushing is located inside the pump and an outer bushing sits in the Water Chamber Cover.
2. Slide the first interior bearing washer onto the ceramic shaft.
3. Place the ceramic impeller shaft into the pump, checking to be sure the centering bushing seats inside the pump.
4. Carefully slide the impeller back onto the shaft. Use caution: the Impeller Assembly is magnetic and will be forcefully pulled back into the pump.



5. Install second outer bearing washer over the impeller shaft.
6. Replace Water Chamber Assembly, containing the impeller shaft centering bushing by sliding it over the impeller shaft and then rotating it clockwise to lock it into place over the tabs on the pump housing.
7. Replace the Pump Cover and Filter Sponge by snapping them back onto the pump housing.

- **Winter Storage** – If concerned about possible freeze damage, disconnect the tubing from the discharge fitting and remove the pump from the water. Clean the pump and inlet screens with fresh water and store the pump in a frost-free location. The pump can be run during cold weather, if desired, but should be removed in the event of a power failure to prevent any freeze damage to either the pump or the piping.

TROUBLESHOOTING

- **Reduced Water Flow**
 - It may be necessary to clean the front cover, filter sponge and impeller.
- **Pump Hums and Doesn't Push Water**
 - It may be necessary to clean the front cover, filter sponge and impeller.
 - Remove the water chamber cover and inspect and clean the impeller rotor assembly and internal pump body.
 - Make sure nothing is blocking or wrapped around the impeller.
 - Make sure the pump is receiving the correct voltage.
- **Pump Not Working**
 - The ground-fault circuit-interrupter (GFCI) may have tripped
 - The pump is not receiving the correct voltage.

For more information about our company or products, please visit our website at www.aquascapeinc.com or call us at (US) 1-866-877-6637 (CAN) 1-866-766-3426

Aquascape[®]

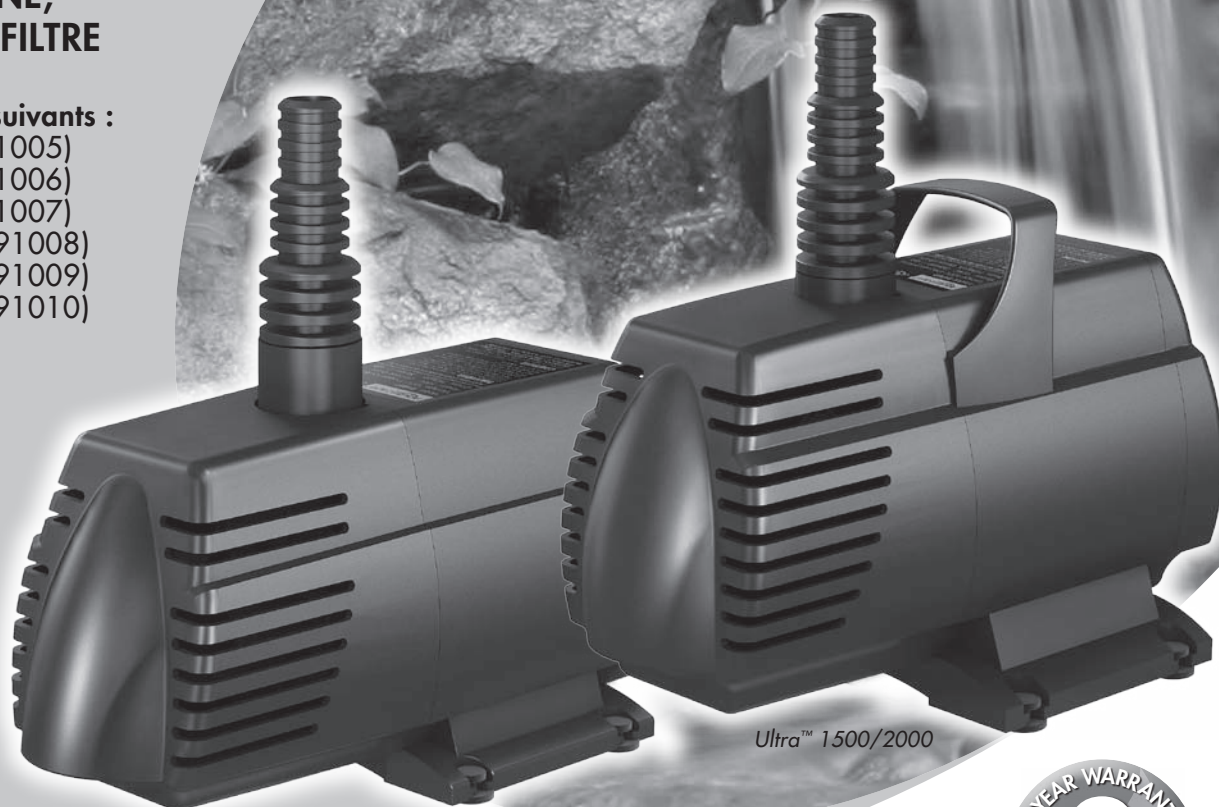
ULTRA[™] WATER PUMP

**POMPE SUBMERSIBLE
POUR FONTAINE,
CASCADES ET FILTRE**

Pour les modèles suivants :

- 400 (article n° 91005)
- 550 (article n° 91006)
- 800 (article n° 91007)
- 1100 (article n° 91008)
- 1500 (article n° 91009)
- 2000 (article n° 91010)

*Disponible en débits
de 1514 à 7570 L/h*



Ultra[™] 400/550/800/1100

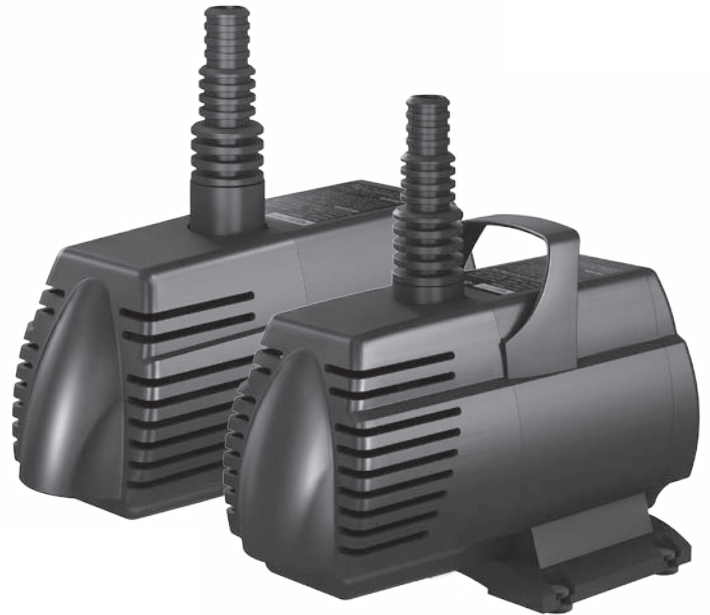
Ultra[™] 1500/2000





ULTRA™ WATER PUMP

Merci d'avoir choisi la pompe à plan d'eau Ultra^{MC}. Chez Aquascape, notre but est de fournir à nos clients des produits de la plus haute qualité pour le jardinage aquatique. Nous espérons que vous aimerez votre achat et nous vous remercions d'avoir choisi Aquascape. *Votre paradis. Notre passion.^{MD}*



GARANTIE DE TROIS ANS

La pompe Ultra^{MC} pour plan d'eau a une garantie de trois ans à partir de la date d'achat. Une preuve d'achat est exigée. La garantie ne couvre pas les dégâts résultant de la négligence de manutention, d'une mauvaise utilisation, ou de l'entretien ou de soins défectueux. La garantie est valable contre les défauts dans les matériaux et les défauts de fabrication seulement. Le remplacement de l'unité défectueuse par une unité de rechange appropriée sera la seule obligation. Les unités devront être vérifiées afin de s'assurer de leur bon fonctionnement avant de les retourner en tant qu'unité défectueuse. Aquascape inc. ou ses filiales n'assumeront aucune responsabilité en cas de perte ou de dégâts de n'importe quelle nature, provenant ou résultant de l'utilisation du produit, défectueux ou non.

☎ NOUS JOINDRE

Pour plus de renseignements au sujet de notre société ou de nos produits, veuillez visiter notre site Web au www.aquascapeinc.com ou téléphonez sans frais au 1 866 766 3426, au Canada, ou au 1 866 877 6637, aux États-Unis.

TABLE DES MATIÈRES

Introduction	11
Contenu et pièces de rechange	11
Renseignements de sécurité	12
Mode d'emploi	12
Fonctionnement et entretien	14
Diagnostic des pannes	16



VISITEZ NOTRE SITE WEB



EFFECTUEZ UNE RECHERCHE DANS NOTRE CATALOGUE

INTRODUCTION

Les pompes Aquascape Ultra^{MC} sont la solution complète pour de petits plans d'eau, des fontaines et des aménagements aquatiques. Cet ensemble tout-en-un inclut une vanne directionnelle à trois voies et un raccord de tuyau à tailles multiples le rendant adaptable à presque n'importe quel tuyau

CONTENU : (1) pompe Ultra^{MC}

n° 91055 La Pompe Ultra^{MC} ensemble de pièces de rechange

pour les modèles 400/550/800 seulement :

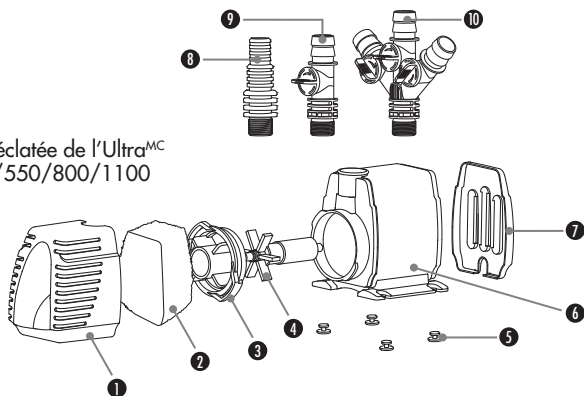
- (1) raccord rapide cannelé de 1,9 cm vers 1,3 cm
- (1) adaptateur de tuyau multiple de 1,9 cm vers 1,9 cm, 2,54 cm et 3,17 cm
- (1) sortie d'eau cannelée de 1,9 cm avec vanne à 3 voies de 1,9 cm

n° 91056 La Pompe Ultra^{MC} ensemble de pièces de rechange

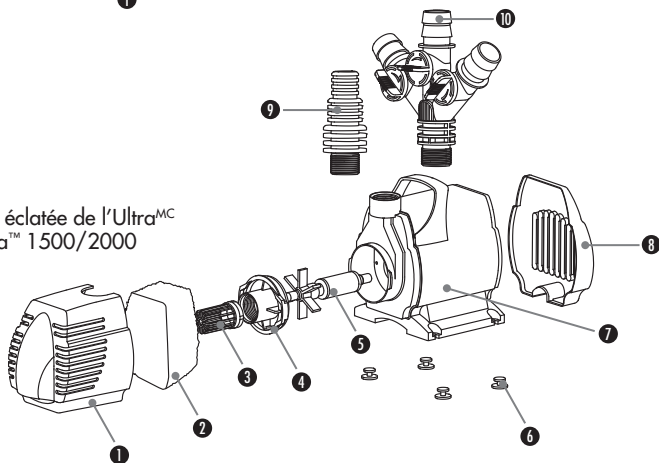
pour les modèles 1100 seulement :

- (1) adaptateur de tuyau multiple de 2,22 cm vers 1,9 cm, 2,54 cm et 3,17 cm
- (1) sortie d'eau cannelée de 2,22 cm avec vanne à 3 voies de 1,9 cm

Vue éclatée de l'Ultra^{MC} 400/550/800/1100



Vue éclatée de l'Ultra^{MC} Ultra^{MC} 1500/2000



LISTE DES PIÈCES 400/550/800/1100 seulement :

- 1 Couvercle frontal
- 2 Éponge de filtration
- 3 Assemblage du réservoir
- 4 Assemblage du turbine
- 5 Support de caoutchouc
- 6 Boîtier principal
- 7 Couvercle arrière
- 8 Adaptateur de tuyau multiple de 1,9 cm vers 1,9 cm, 2,54 cm et 3,17 cm
- 9 Raccord rapide cannelé de 1,9 cm vers 1,3 cm
- 10 Sortie d'eau cannelée de 1,9 cm avec vanne à 3 voies de 1,9 cm

LISTE DES PIÈCES 1500/2000 seulement :

- 1 Couvercle frontal
- 2 Éponge de filtration
- 3 Inner Screen
- 4 Assemblage du réservoir
- 5 Assemblage du turbine
- 6 Support de caoutchouc
- 7 Boîtier principal
- 8 Couvercle arrière
- 9 Adaptateur de tuyau multiple de 1,9 cm vers 1,9 cm, 2,54 cm et 3,17 cm
- 10 Sortie d'eau cannelée de 1,9 cm avec vanne à 3 voies de 1,9 cm

ou taille de tube. Les pompes Ultra sont idéales pour fournir de l'eau aux fontaines, aux aménagements aquatiques, aux filtres externes et aux ornements cracheurs d'eau. La combinaison d'un excellent rendement en efficacité énergétique, du maintien de niveau d'eau élevé et d'une facilité d'entretien fait de cette pompe le choix idéal des propriétaires de plan d'eau exigeants.

n° 91057 La Pompe Ultra^{MC} ensemble de pièces de rechange

pour les modèles 1500/2000 seulement :

- (1) adaptateur de tuyau multiple de 1,9 cm vers 1,9 cm, 2,54 cm et 3,17 cm
- (1) sortie d'eau cannelée de 1,9 cm avec vanne à 3 voies de 1,9 cm



Sortie d'eau cannelée avec vanne à 3 voies



Raccord rapide cannelé



Adaptateur de tuyau multiple

PIÈCES DE RECHANGE : Pour toute pièce endommagée ou usée, veuillez joindre votre concessionnaire pour trouver les pièces de rechange requises.

Modèle de pompe	Ensemble de couvercle frontal	Éponge de filtration	Ensemble de turbine	Ensemble de raccords de sortie d'eau
400	91050	91033 (4/pkg)	91039	91055
550	91051	91034 (4/pkg)	91040	91055
800	91051	91035 (4/pkg)	91041	91055
1100	91052	91036 (2/pkg)	91042	91056
1500	91053	91037 (2/pkg)	91043	91057
2000	91053	91038 (2/pkg)	91044	91057

ACCESSOIRES FACULTATIFS :

Ensemble de têtes de fontaine pour la pompe Ultra^{MC}

Si vous possédez une pompe Ultra^{MC} et que vous voulez ajouter une nouvelle dimension à votre plan d'eau en y installant une fontaine, Aquascape vous simplifie la tâche grâce au nouvel ensemble de têtes de fontaine pour la pompe Ultra^{MC}. Cet ensemble inclut trois têtes de fontaine : une cloche d'eau, un jet moussant et une fontaine marguerite en plus d'une vanne directionnelle intégrée pour ajuster la hauteur de la fontaine tout en permettant à l'eau d'être redirigée vers un filtre externe ou une cascade.



Cloche d'eau



Jet moussant



Fontaine marguerite



Trousse de têtes de fontaines

CARACTÉRISTIQUES TECHNIQUES DES TÊTES DE FONTAINE DE LA POMPE ULTRA^{MC}

Modèle n°	Trousse article n°	Fontaine cloche d'eau Diamètre du jet	Jet moussant Hauteur du jet	Fontaine marguerite Hauteur du jet
Ultra ^{MC} 400	91045	Jusqu'à 30,48 cm	Jusqu'à 30,48 cm	Jusqu'à 101,6 cm
Ultra ^{MC} 550	91045	Jusqu'à 38,1 cm	Jusqu'à 40,64 cm	Jusqu'à 119,38 cm
Ultra ^{MC} 800	91045	Jusqu'à 53,34 cm	Jusqu'à 45,72 cm	Jusqu'à 132,08 cm
Ultra ^{MC} 1100	91046	Jusqu'à 78,73 cm	Jusqu'à 50,8 cm	Jusqu'à 193,04 cm
Ultra ^{MC} 1500	91046	Jusqu'à 86,36 cm	Jusqu'à 55,88 cm	Jusqu'à 218,44 cm
Ultra ^{MC} 2000	91046	Jusqu'à 91,44 cm	Jusqu'à 60,96 cm	Jusqu'à 243,84 cm

RENSEIGNEMENTS DE SÉCURITÉ



MISE EN GARDE : risque de choc électrique – Cette pompe n'a pas été approuvée pour une utilisation en piscine ou en zones marines.



MISE EN GARDE : Afin d'assurer une protection continue contre le risque de décharge électrique, ne branchez le cordon qu'à une prise d'alimentation avec mise à la terre, en observant les directives suivantes :

- (A) Faites installer une prise de courant correctement mise à la terre convenant à une utilisation extérieure et protégée de la neige et de la pluie
- (B) Inspectez le cordon d'alimentation avant l'utilisation
- (C) N'utilisez pas de rallonge électrique
- (D) Tout câblage relié à la pompe devrait être exécuté par un électricien qualifié pour être en conformité avec les normes et s'assurer de la sécurité de l'utilisateur

- (E) Débranchez la pompe de la prise de courant lorsque vous ne vous en servez pas ou avant de la sortir du plan d'eau
- (F) Pour réduire le risque de décharge électrique, tout le câblage et les raccordements de jonction devraient être exécutés selon les normes locales. Les exigences peuvent varier en fonction de l'utilisation et de l'emplacement
- (G) Le câble électrique devrait être protégé en tout temps pour éviter les perforations, les coupures, les ecchymoses et les abrasions
- (H) Ne manipulez jamais les cordons d'alimentation avec les mains humides
- (I) N'enlevez pas le cordon et le dispositif de réduction de la tension. Ne joignez pas le conduit à la pompe
- (J) Ne soulevez pas la pompe par le cordon d'alimentation.

MODE D'EMPLOI

- La pompe doit toujours être submergée lors de son utilisation sinon elle pourrait surchauffer entraînant ainsi sa défaillance et annulant de ce fait la garantie. **NE FAITES PAS FONCTIONNER LA POMPE À SEC!**
- Utilisez seulement lorsque la pompe est entièrement assemblée, en prêtant une attention particulière pour que la grille de filtration et l'éponge soient fixées à la pompe. Faire fonctionner la pompe sans la grille de filtration permettra à des débris de grande taille d'entrer dans la pompe entraînant ainsi sa défaillance et annulant de ce fait la garantie.
- Ne portez pas de vêtements amples qui peuvent s'empêtrer dans la turbine ou dans d'autres pièces en mouvement.
- Restez à l'écart des sorties et des entrées d'eau. **N'INSÉREZ PAS** de doigts dans la pompe lorsqu'elle est branchée.
- Ne pompez pas de matières dangereuses ou des liquides, tels que l'huile, l'eau salée ou les solvants biologiques.
- Ne bloquez ni ne restreignez la sortie de la pompe.

- Les produits retournés doivent être nettoyés, désinfectés ou décontaminés au besoin, avant l'expédition pour s'assurer que les employés ne soient pas exposés à des risques pour la santé lors de la manutention dudit matériel. Toutes lois et tous règlements en vigueur seront applicables.



IMPORTANT: Aquascape inc. n'est nullement responsable des pertes, blessures ou décès résultant du non-respect de ces consignes, d'une mauvaise utilisation ou d'une utilisation abusive de la pompe ou de l'équipement.

CAHIER DES CARACTÉRISTIQUES TECHNIQUES DE LA POMPE ULTRA^{MC}

- Tension d'entrée : 120V a.c.
- Fréquence d'entrée : 60 Hz
- Pompe submersible
- Pour utilisation extérieure ou intérieure
- Protection thermique
- Pompe évaluée en utilisation avec de l'eau seulement
- Intensité de courant d'entrée et puissance en watts : voir *diagramme ci-dessous*



INSTRUCTIONS
D'INSTALLATION
DE NOTRE
ÉQUIPE DE
SPÉCIALISTES EN
PLAN D'EAU

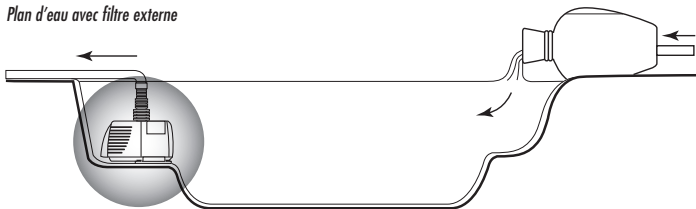
CARACTÉRISTIQUES TECHNIQUES DES POMPES ULTRA^{MD}

Numéro de modèle	400	550	800	1100	1500	2000
Numéro de l'article	N° 91005	N° 91006	N° 91007	N° 91008	N° 91009	N° 91010
Débit maximal	1 400,5 L/h	1 998,5 L/h	3001,5 L/h	4163,5 L/h	5601,8 L/h	7501,9 L/h
Hauteur maximale	2,30 m	2,40 m	2,80 m	3,70 m	5,00 m	6,10 m
Type de moteur	Entraînement magnétique	Entraînement magnétique	Entraînement magnétique	Entraînement magnétique	Entraînement magnétique	Entraînement magnétique
Puissance en watts	24	33	58	92	153	250
Intensité de courant	0,40	0,55	0,80	0,85	1,46	2,60
Longueur de cordon d'alimentation	3,66 m	3,66 m	7,62 m	7,62 m	7,62 m	7,62 m
Diamètre du boyau de sortie d'eau	1,27 cm, 9 cm, 2,54 cm, 3,17 cm	1,27 cm, 9 cm, 2,54 cm, 3,17 cm	1,27 cm, 9 cm, 2,54 cm, 3,17 cm	9 cm, 2,54 cm, 3,17 cm	9 cm, 2,54 cm, 3,17 cm	9 cm, 2,54 cm, 3,17 cm
Garantie	Limitée de 3 ans	Limitée de 3 ans	Limitée de 3 ans	Limitée de 3 ans	Limitée de 3 ans	Limitée de 3 ans

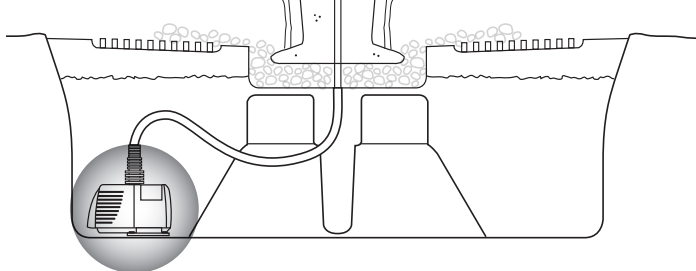
INSTALLATION STANDARD DANS UN PLAN D'EAU OU UNE FONTAINE DÉCORATIVE

- La pompe Ultra^{MD} est conçue pour être submergée directement dans le plan d'eau ou le réservoir de la fontaine décorative. Pour maximiser la circulation d'eau dans le bassin, placez la pompe aussi loin que possible de l'emplacement où l'eau entrera à nouveau dans l'aménagement aquatique.

Plan d'eau avec filtre externe



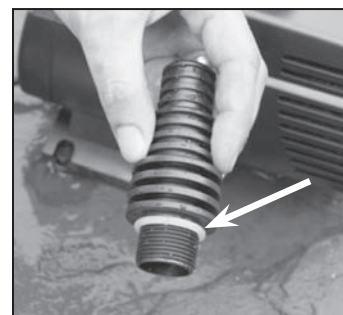
Fontaine décorative



- La pompe Ultra^{MD} est conçue avec une base qui permet à l'évacuation d'eau d'être orientée verticalement. Si l'espace est limité ou que l'installation de plomberie exige une évacuation horizontale, la pompe peut être placée sur son côté.
- Il est recommandé de **NE PAS** placer la pompe dans la partie la plus profonde du plan d'eau. Ceci protégera les poissons en empêchant le plan d'eau de se vider

complètement en cas de fuite dans la plomberie ou le filtre. Des briques ou des pierres peuvent être utilisées, si nécessaire, pour surélever la pompe du fond du plan d'eau.

- La pompe Ultra^{MD} comprend un vaste assortiment de raccords parmi lequel choisir. Sélectionnez le raccord ou les raccords appropriés à votre installation. Glissez le joint torique autour de la portion fileté du raccord.



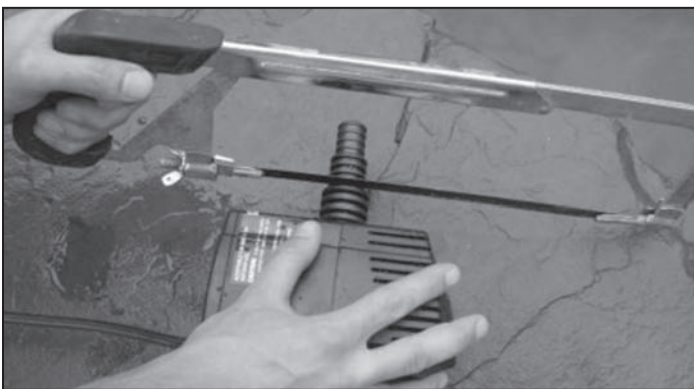
- L'adaptateur de tuyau multiple peut s'ajuster à de la tuyauterie de 1,9 cm, 2,54 cm, 3,17 cm.



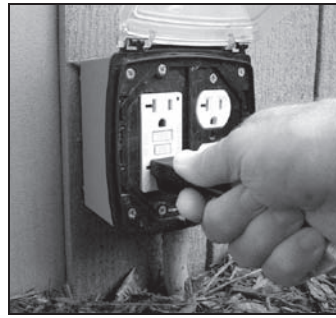
- Le raccord pratique de la vanne directionnelle à trois voies vous permet de connecter et d'ajuster les débits jusqu'à trois emplacements différents de pompage. Ajustez simplement la valve sur le raccord de la vanne directionnelle à trois voies pour régler le débit d'eau désiré. Si vous n'utilisez pas les trois vannes, fermez les vannes inutilisées pour maximiser le flux d'eau vers les vannes restantes.



- Si vous utilisez un tuyau de diamètre supérieur à la plus petite partie de l'adaptateur de tuyau multiple, taillez les plus petites parties pour éviter toute réduction du débit.



- Fixez le tuyau au raccord. Si le tuyau n'est pas assez serré sur le raccord, utilisez un collier de serrage (non compris) pour bien fixer le tuyau au raccord.
- Joignez l'autre bout du tuyau de la pompe au filtre de plan d'eau tel qu'un filtre biologique, un déversoir de cascades ou un filtre pressurisé, ou à une fontaine décorative ou cracheuse d'eau.



- Branchez la pompe à un disjoncteur de fuite à la terre. Lorsque la pompe fonctionne et que l'eau circule par le ou les filtres ou les cascades, vérifiez visuellement toute présence de fuite dans les raccords ou les cascades aux endroits où les raccords externes ont été faits.

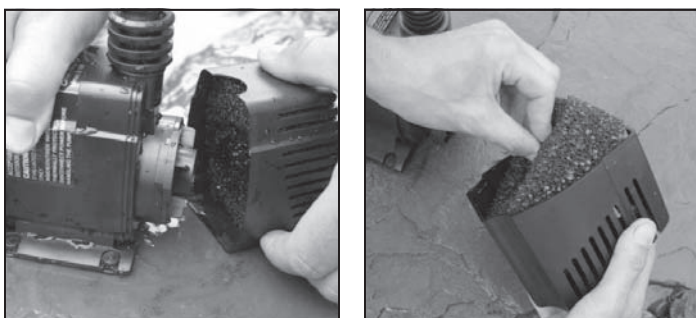
FONCTIONNEMENT ET ENTRETIEN

- **Cage de pompe** – N'enlevez ni la cage supérieure ni la cage inférieure ni l'éponge de la pompe lorsque vous actionnez celle-ci. Faire fonctionner la pompe sans les cages de filtration permettra à des débris de grande taille d'entrer dans la pompe entraînant ainsi sa défaillance et annulant de ce fait la garantie.

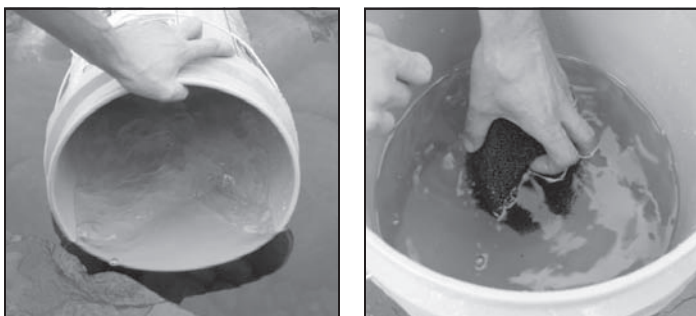


- **Nettoyage de la cage de pompe** – Nous recommandons d'inspecter votre pompe régulièrement pour vous assurer qu'elle fonctionne correctement. Débranchez toujours le courant avant de procéder à l'entretien de la pompe. Si vous remarquez que le débit d'eau diminue, cela peut être dû à des débris obstruant l'éponge ou la cage de filtration de la pompe. Dans de nombreux cas, la cage de filtration bouchée peut être nettoyée en plongeant la main dans la pompe et en retirant manuellement les débris de la cage de filtration. S'il y a beaucoup de débris ou s'il est difficile de les nettoyer, ou les deux, vous devrez possiblement retirer la pompe du plan d'eau ou du bassin pour en faire un nettoyage complet. Un tuyau d'arrosage peut être utilisé pour éliminer les débris coincés à la cage de filtration. Assurez-vous de bien replacer la grille et de la fixer fermement sur le corps de la pompe avant de redescendre la pompe dans l'eau.

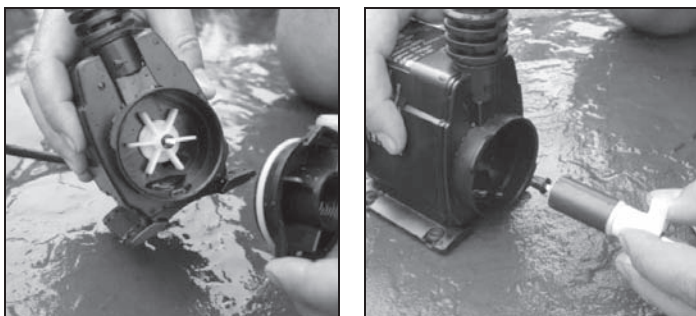
- La grille externe a été conçue pour sortir lorsque l'on tire de part et d'autre. Ceci permet d'accéder facilement à l'éponge de filtration.



- L'éponge de préfiltration est conçue pour protéger la pompe des fines particules comme le sable ou d'autres débris du plan d'eau, qui pourraient obstruer ou endommager l'intérieur de la pompe. Nettoyez l'éponge de filtration en utilisant un seau rempli d'eau du bassin ou rincez-la avec un tuyau d'arrosage.



- **Nettoyage interne de la pompe** – Si vous avez nettoyé à fond la grille de filtration et l'éponge sur la pompe et que le débit est toujours réduit, vous devrez enlever le couvercle du réservoir en le faisant tourner d'un quart de tour dans le sens inverse des aiguilles d'une montre au-delà des indicateurs et en tirant pour le déloger. Ceci exposera l'assemblage de la turbine pour une meilleure inspection. Enlevez soigneusement la turbine de la pompe, tout en prenant garde de ne pas perdre les deux rondelles de butée se trouvant de chaque côté de la turbine ou sur les bagues de centrage qui centrent l'arbre en céramique de la turbine aux deux bouts.



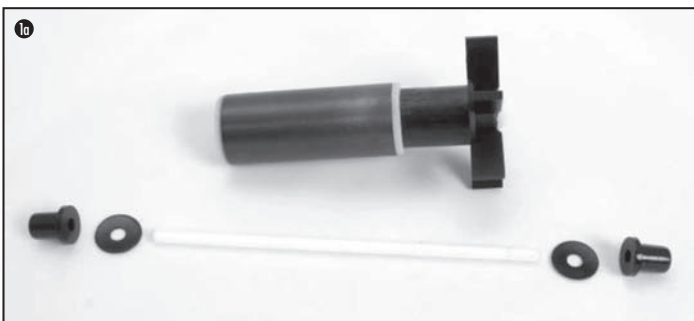
- Si l'assemblage du rotor de turbine et la partie interne de la pompe contiennent des dépôts calcaires excessifs, nettoyez avec un acide doux, comme du vinaigre blanc ou un calcium non abrasif, un produit antirouille et anticalcaire en utilisant une éponge de cuisine ou une brosse à poils doux qui n'égratignera pas l'acier inoxydable. Ceci éliminera les résidus calcaires et permettra à la turbine de la pompe de tourner de nouveau.



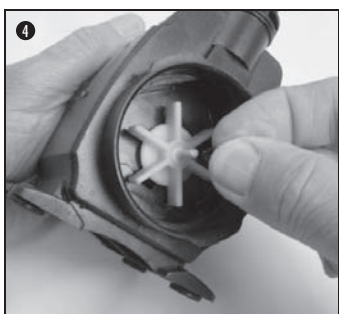
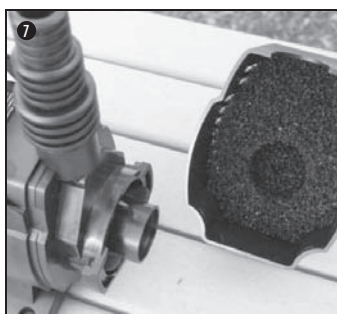
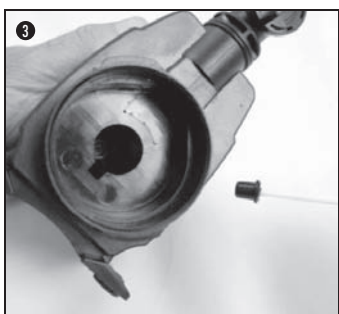
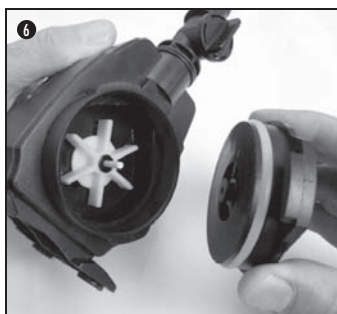
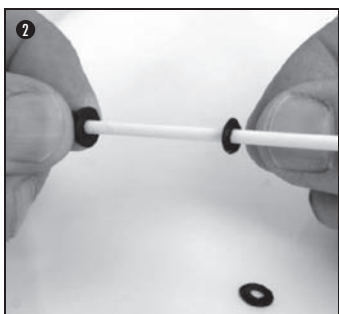
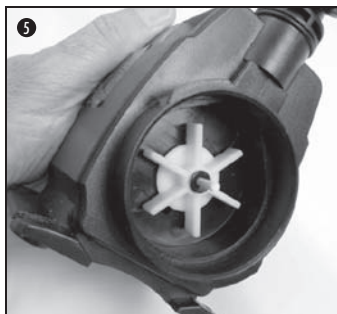
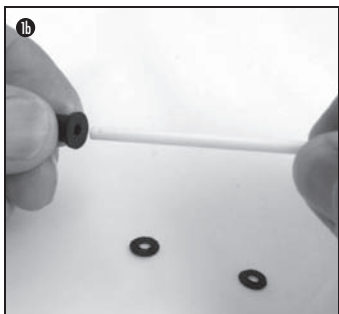
REPLACEMENT DE LA TURBINE

- L'assemblage de la turbine est la seule partie en mouvement de la pompe Ultra^{MD} qui subira usure et détérioration. Si vous avez nettoyé la pompe comme il a été décrit ci-dessus et que le rendement de la pompe est insuffisant, il est probablement temps de remplacer la turbine. Son remplacement est extrêmement facile. Les ensembles de turbines de remplacement sont disponibles chez votre concessionnaire Aquascape^{MD}.

- 1a. Assurez-vous que l'arbre de la turbine siège dans la bague de centrage située à l'intérieur de la pompe. La bague peut être restée dans la pompe : vérifiez pour vous assurer que celle-ci ne manque pas. Des bagues neuves pour l'arbre de la turbine sont fournies dans l'ensemble de remplacement de turbine.



- 1b. Une bague de centrage est requise aux deux extrémités de l'arbre de la turbine; une bague est placée à l'intérieur de la pompe et une bague extérieure est située dans le couvercle du réservoir d'eau.
2. Glissez la première rondelle de butée dans l'arbre de céramique.
3. Placez l'arbre en céramique de la turbine dans la pompe, en vérifiant bien pour vous assurer que la bague siège dans la pompe.



4. Glissez soigneusement la turbine dans l'arbre. Soyez prudent : l'assemblage de turbine est magnétique et sera fortement attiré dans la pompe.
5. Installez la deuxième rondelle de butée à l'arbre de la turbine.
6. Remplacez l'assemblage du réservoir contenant l'arbre de la turbine, en centrant et en glissant la bague au-dessus de l'arbre de la turbine, et en exécutant une rotation dans le sens des aiguilles d'une montre afin de bien le tenir en place aux indicateurs du boîtier de la pompe.
7. Remplacez le couvercle de la pompe et l'éponge de filtration en les faisant revenir dans le boîtier de la pompe.

- **Rangement hivernal** – Si vous êtes préoccupés par les dommages possibles causés par le gel, débranchez le col fileté du raccord et sortez la pompe du filtre. Nettoyez la pompe et les grilles d'entrée d'eau de la cage avec de l'eau douce et rangez la pompe dans un endroit à l'abri du gel. Vous pouvez faire fonctionner la pompe par temps glacial si désiré, mais elle devrait être enlevée en cas de panne de courant afin de prévenir tout dommage à la pompe ou à la tuyauterie dû au gel.

DIAGNOSTIC DES PANNES

- **Débit d'eau réduit**
 - La pompe ou la plomberie peuvent être bouchés. Il peut être nécessaire de nettoyer les grilles de filtration et la turbine.
- **Bourdonnement de la pompe et absence de propulsion d'eau**
 - La pompe ou la plomberie peuvent être bouchés. Il peut être nécessaire de nettoyer les grilles de filtration et la turbine.
 - Enlevez le couvercle du réservoir, inspectez et nettoyez l'assemblage du rotor de turbine et la partie interne de la pompe.
 - Assurez-vous que rien ne bloque ou n'est enveloppé autour de la turbine.
 - Assurez-vous que la pompe reçoit la bonne tension.
- **Pompe en panne**
 - L'interrupteur du disjoncteur de fuite à la terre (GFCI) peut avoir été déclenché.
 - La pompe ne reçoit pas la bonne tension.

Pour plus de renseignements au sujet de notre société ou de nos produits, veuillez visiter notre site Web au www.aquascapeinc.com ou téléphonez sans frais au 1 866 766 3426, au Canada, ou au 1 866 877 6637, aux États-Unis.