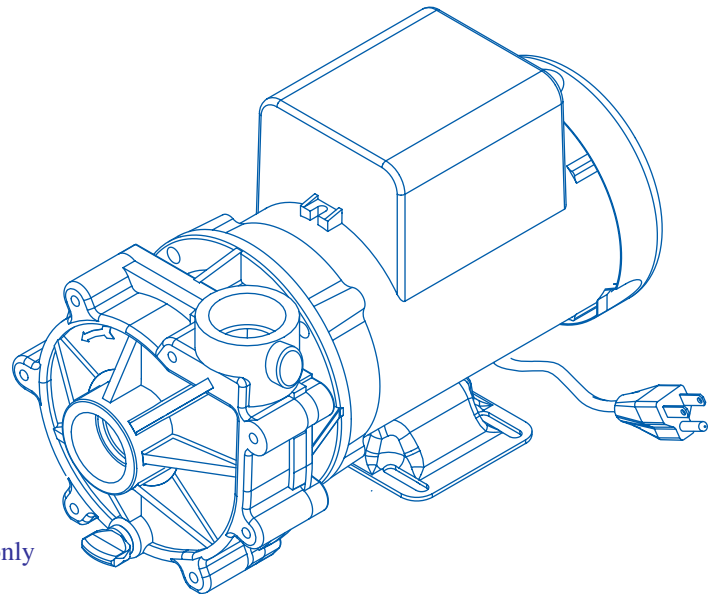
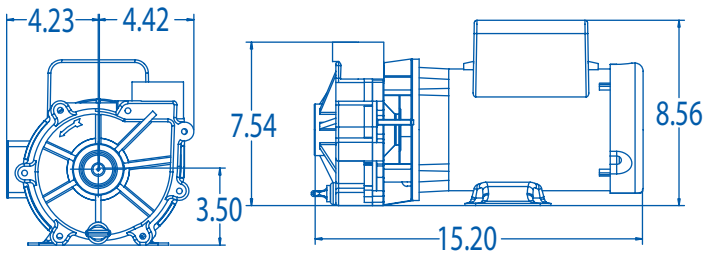


# SEQUENCE<sup>®</sup> 1000



## 1000 Model 6100SEQ23

The Classic! The 1000 series has set the standard by which all others are measured. Perfect blend of medium pressure and ample flow for the majority of ponds. Motor is totally-enclosed, fan-cooled for durability. 115V or 230V. 3 year limited warranty. Made in USA. **Supplied with an 8-foot, 115V cordset.**



\*Dimensions and illustrations are approximate and for reference only

Flow At Total Dynamic Head

Model	Max Flow GPH	Max Head Feet	Max Power Watts	Max Current Amps	Flow	Flow At Total Dynamic Head					Voltage	Motor Enclosure
						4'	8'	12'	16'	20'		
6100SEQ23	6100	23	366	3.59	GPM	93	85	75	60	40	115	TEFC
					GPH	5580	5100	4500	3600	2400		

**Sustainable, Efficient**

© 2009 SEQUENCE PUMPS A DIVISION OF MDM INC.



# SEQUENCE 6100SE023 (Low-Speed)

