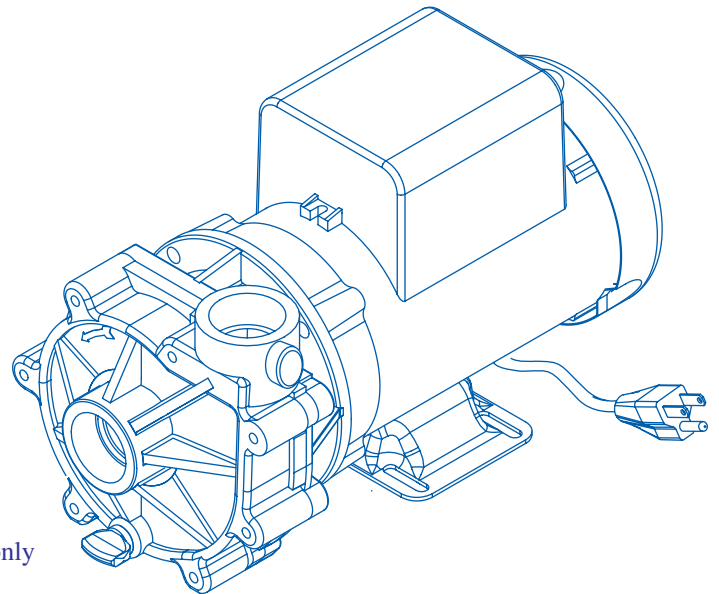
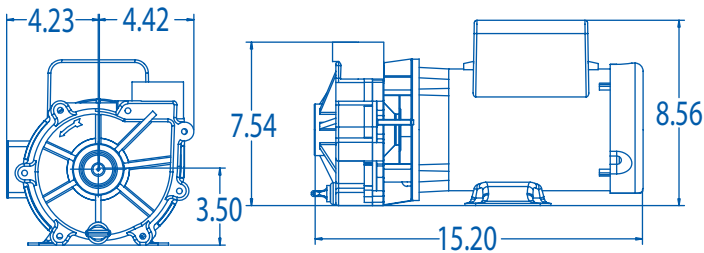


SEQUENCE® 1000



1000 Model 5100SEQ22

The Classic! The 1000 series has set the standard by which all others are measured. Perfect blend of medium pressure and ample flow for the majority of ponds. Motor is totally-enclosed, fan-cooled for durability. 115V or 230V. 3 year limited warranty. Made in USA. **Supplied with an 8-foot, 115V cordset.**



*Dimensions and illustrations are approximate and for reference only

Flow At Total Dynamic Head

Model	Max Flow GPH	Max Head Feet	Max Power Watts	Max Current Amps	Flow					Voltage	Motor Enclosure	
					4'	8'	12'	16'	20'			
5100SEQ22	5100	22	293	3.03	GPM	79	71	63	50	28	115	TEFC
					GPH	4740	4260	3780	3000	1680		

Sustainable, Efficient

© 2009 SEQUENCE PUMPS A DIVISION OF MDM INC.



SEQUENCE 5100SEQ22 (Low-Speed)

