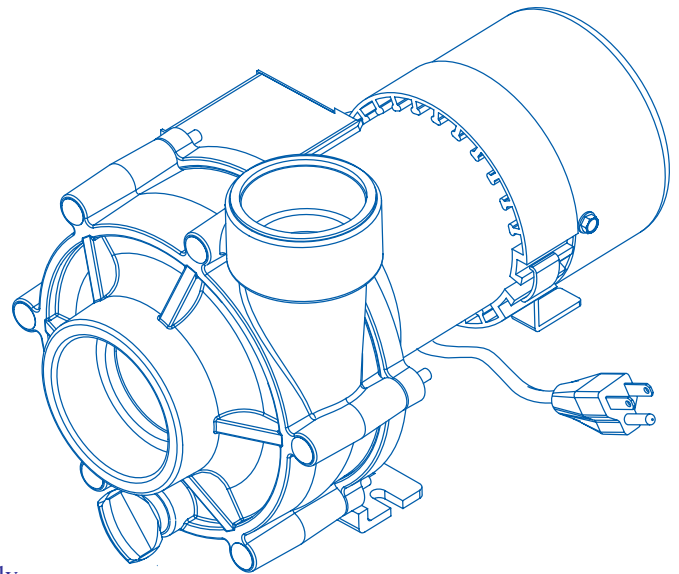
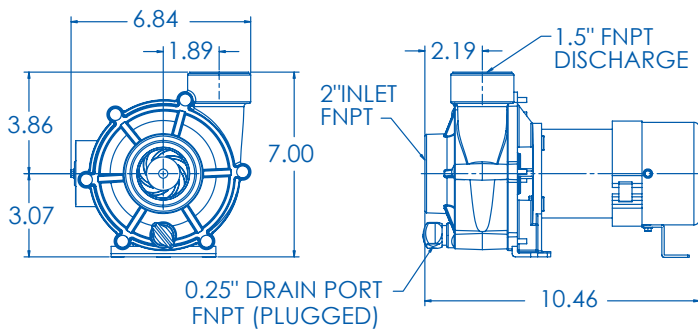


SEQUENCE[®] 750



750 Model 4200SEQ12

Our best seller! The compact 750 series delivers big flow for little power. Great for smaller and simple ponds (3,000 gallons or less). The motor is totally-enclosed fan-cooled for durability. 115V only. 3 year limited warranty. **Supplied with an 8 foot cordset.**



*Dimensions and illustrations are approximate and for reference only

Flow At Total Dynamic Head

Model	Max Flow GPH	Max Head Feet	Max Power Watts	Max Current Amps	Flow					Voltage	Motor Enclosure	
					2'	4'	6'	8'	10'			
4200SEQ12	4200	12	160	1.56	GPM	62	54	45	36	25	115	TEFC
					GPH	3720	3240	2700	2160	1500		

Sustainable, Efficient

© 2009 SEQUENCE PUMPS A DIVISION OF MDM INC.



SEQUENCE 4200SEQ12 (Low-Speed)

